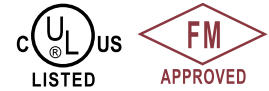
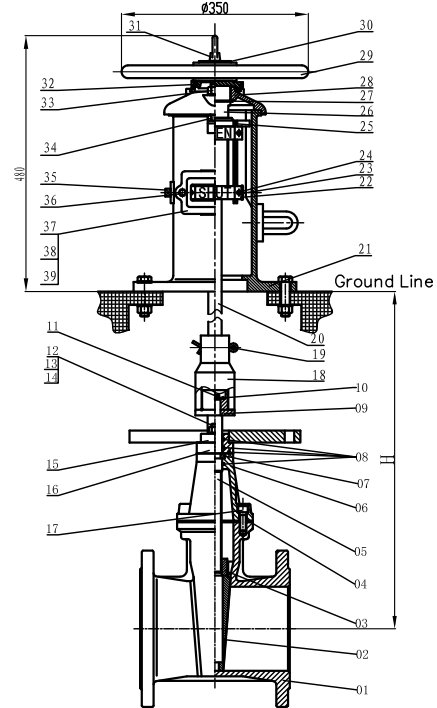


Wall Post Indicator (JKDWP)



MATERIAL SPECIFICATION

PART NO.	Description	Material Specification	Standard
1	Body	Ductile Iron	ASTM A536
2	Disc	Ductile Iron+EPDM	ASTM A536
3	Nut	Cast Bronze	ASTM B62
4	Gasket	NBR	NBR
5	Stem	Stainless Steel	SS420
6	Bonnet	Ductile Iron	ASTM A536
7	Retainer ring	Cast Bronze	ASTM B62
8	O-ring	NBR	NBR
9	Rotating block	Ductile Iron	ASTM A536
10	Small flat gasket	Steel	
11	Bolt	Steel	ASTM A307B
12	Stud bolt	Steel	ASTM A307B
13	Nut	Steel	
14	Big flat gasket	Steel	
15	Connecting flange	Ductile Iron	ASTM A536
16	Platen	Ductile Iron	ASTM A536
17	Flat head bolt	Steel	ASTM A307B
18	Joint	Cast Iron	ASTM A126 Class B
19	Cotter pin	1035	ASTM A29
20	Driving rod	1045	ASTM A29
21	Main body	Cast Iron	ASTM A126 Class B
22	Indicator plate	A413.0	ASTM S12A
23	Nut,gasket	1035	ASTM A29
24	Stud bolt	1035	ASTM A29
25	Position bracket	Stainless Steel 304	ASTM A276
26	Driver	Stainless Steel 304	ASTM A276
27	Retainer ring for stem	1566	ASTM A29
28	Upper cover	Cast Iron	ASTM A126 Class B
29	Handwheel	Cast Iron	ASTM A126 Class B
30	Gasket	A283 Gr.c	ASTM A36
31	Lift ring	1035	ASTM A29
32	Screw	1035	ASTM A29
33	Nut	1035	ASTM A29
34	Bolt	1035	ASTM A29
35	Screwed plug	1035	ASTM A29
36	Bolt, Flat gasket	Stainless Steel 304	ASTM A276
37	Keyhole plate	A283 Gr.c	ASTM A36
38	Keyhole	Organic glass	
39	Keyhole plate gasket	EPDM	ASTM D2000



Note:For special material request other than standard specification,please indicate clearly on the inquiry or order list.

Trench Depth

Item No.	Size	Dimensions(Inch)	
		H(300PSI)	
		Min	Max
JKDWP04	4"	10.04	41.14
JKDWP05	5"	12.60	43.90
JKDWP06	6"	14.02	45.35
JKDWP08	8"	17.72	48.82
JKDWP10	10"	21.18	52.76
JKDWP12	12"	24.33	56.10

- Coating: Fusion bonded epoxy coating complies with ANSI/AWWA C550.
- Applications: Potable water,water distribution service & feed lines, sewage disposal, irrigation and fire protection pipe system etc.
- Installation instructions:
 - 1.Unload the upper cover of control lead
 - 2.Measure control lead depth, remove the excess part of connector lead and driving rod.
 - 3.Fit the control rod with full closed valve, turn the position plate to shut position.
 - 4.Load upper cover.